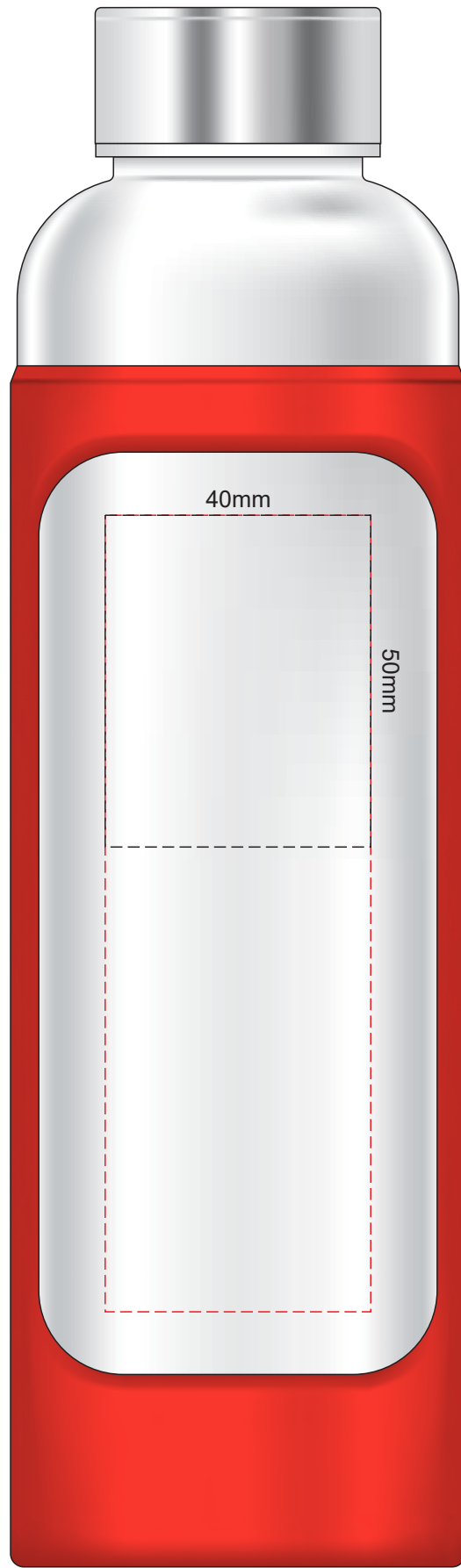
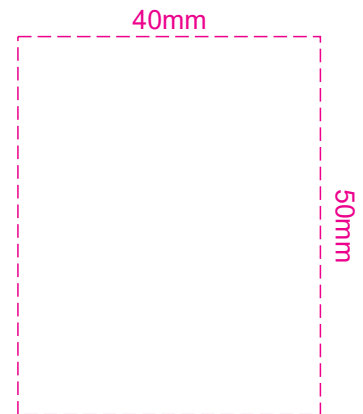
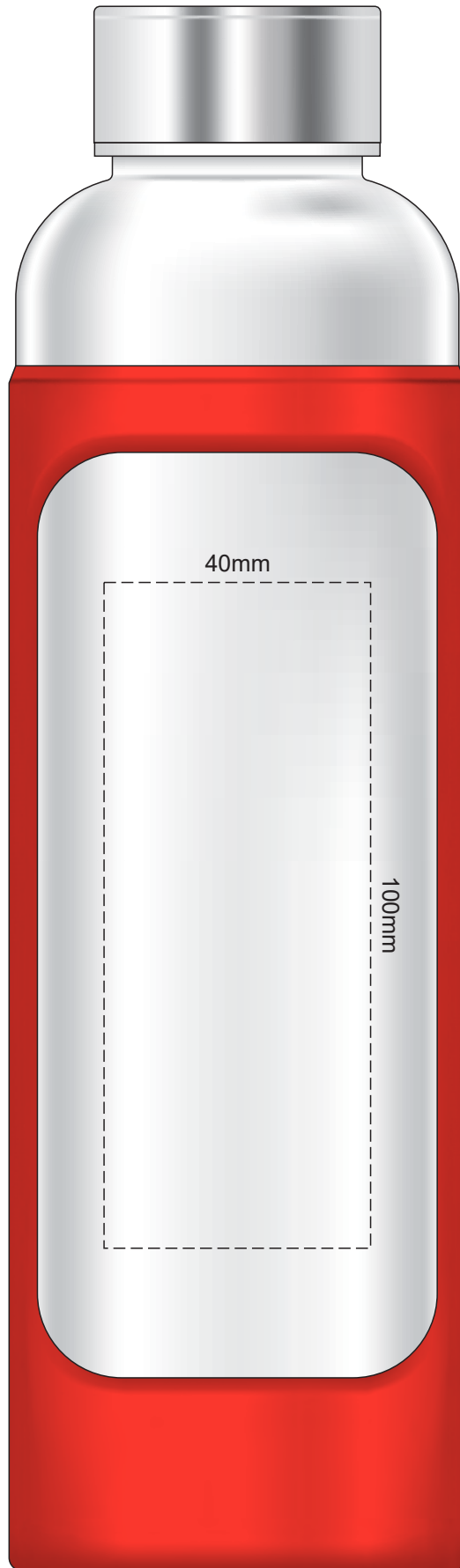


100% of Actual Size
Pad Print
Imitation Etch



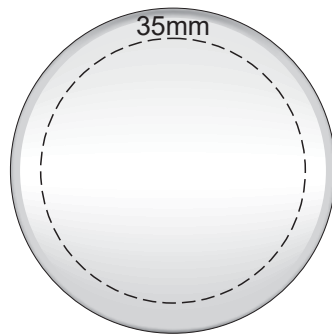
Branding area can be moved anywhere within the red line.

100% of Actual Size
Pad Print
Imitation Etch

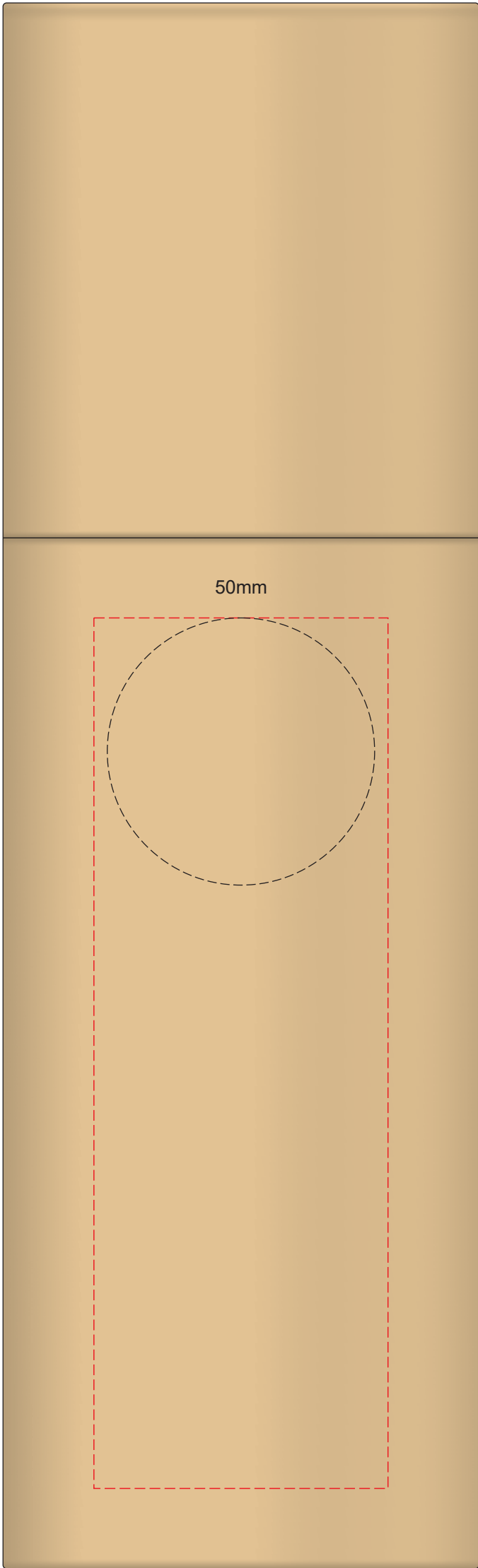


The larger special print area is only available on this item by breaking the artwork into multiple prints. Each individual print artwork must fit within 40mm x 50mm, each print can be positioned anywhere within the overall print area but should not be touching with other prints. Different print colours are available for each print. Each print is charged the normal print position rate plus setup.

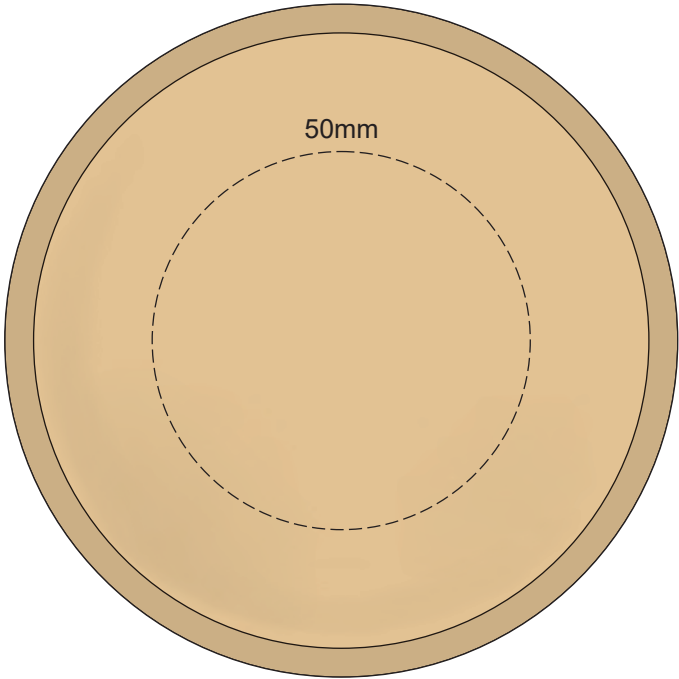
100% of Actual Size
Engraving



Engraves to
Stainless Steel Finish



Top of Tube



100% of Actual Size
Pad Print (one colour)